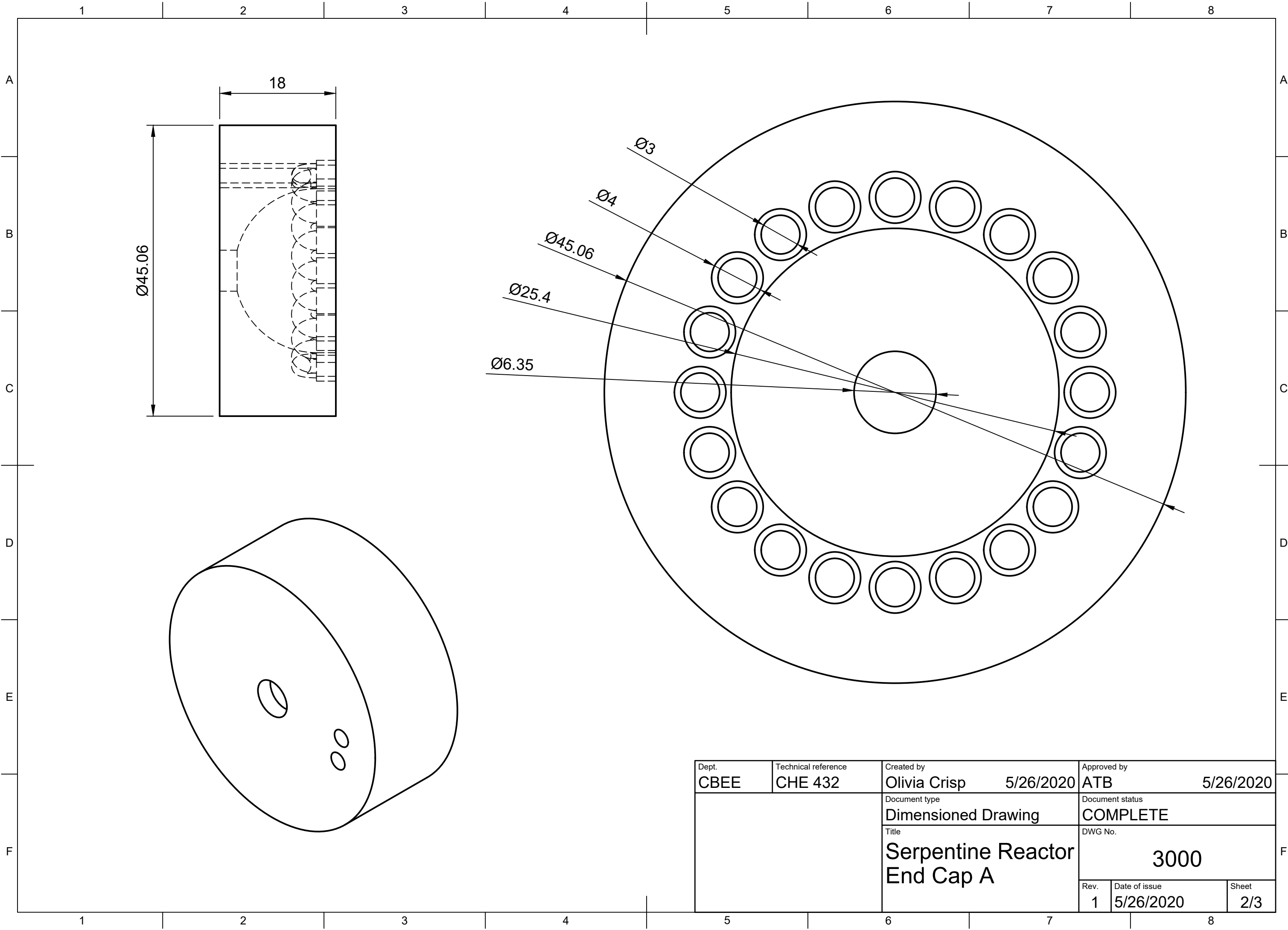
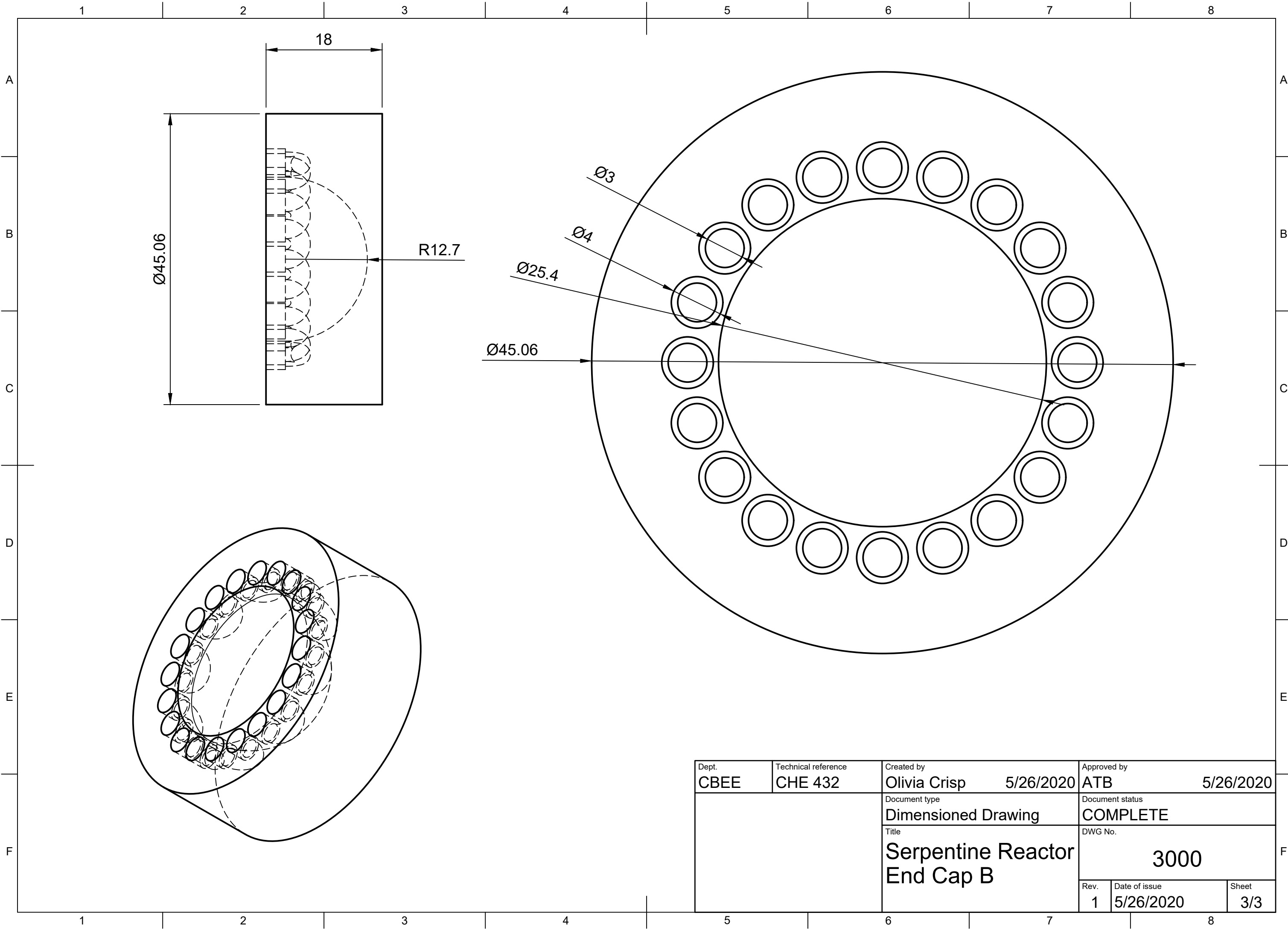


Dept. <b>CBEE</b>	Technical reference <b>CHE 432</b>	Created by <b>Olivia Crisp</b> <b>5/26/2020</b>	Approved by <b>ATB</b> <b>5/26/2020</b>
		Document type <b>Dimensioned Drawing</b>	Document status <b>COMPLETE</b>
		Title <b>Serpentine Reactor Reactor Body</b>	DWG No. <b>3000</b>
Rev. <b>1</b>	Date of issue <b>5/26/2020</b>	Sheet <b>1/3</b>	



Dept. <b>CBEE</b>	Technical reference <b>CHE 432</b>	Created by <b>Olivia Crisp</b> <b>5/26/2020</b>	Approved by <b>ATB</b> <b>5/26/2020</b>
		Document type <b>Dimensioned Drawing</b>	Document status <b>COMPLETE</b>
		Title <b>Serpentine Reactor End Cap A</b>	DWG No. <b>3000</b>
		Rev. <b>1</b>	Date of issue <b>5/26/2020</b>
		Sheet <b>2/3</b>	



Dept. <b>CBEE</b>	Technical reference <b>CHE 432</b>	Created by <b>Olivia Crisp</b> <b>5/26/2020</b>	Approved by <b>ATB</b> <b>5/26/2020</b>
		Document type <b>Dimensioned Drawing</b>	Document status <b>COMPLETE</b>
		Title <b>Serpentine Reactor End Cap B</b>	DWG No. <b>3000</b>
	Rev. <b>1</b>	Date of issue <b>5/26/2020</b>	Sheet <b>3/3</b>