

Sheet: /	
File: USLI Beavs 2020 V2.sch	
Title: USLI BEAVS 2020	
Size: A4	Date:
KiCad E.D.A. kicad (5.1.4)-1	Rev: Id: 1/1

Avionics

Sheet

Page

Sheet: Teensy

2

File: MicroConTeensy.sch

Sheet: Sensors

3

File: Sensors.sch

Sheet: Transceiver

4

File: RFtransceiver.sch

Designer	Date	Rev	Reviewed By
J Peterson	Oct 20. 2019	A	

Sheet: /
File: AvionicsRev1.sch

Title:

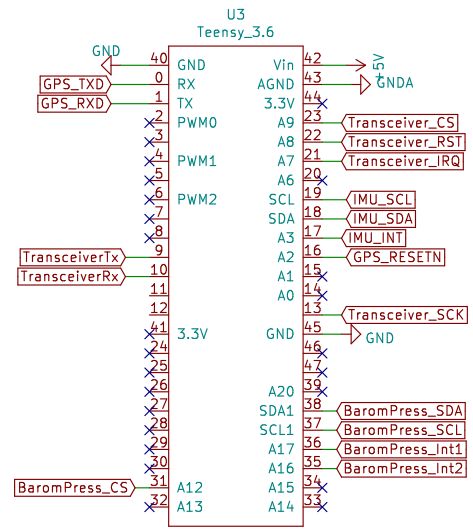
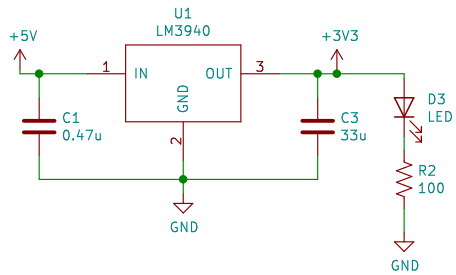
Size: A4

Date:

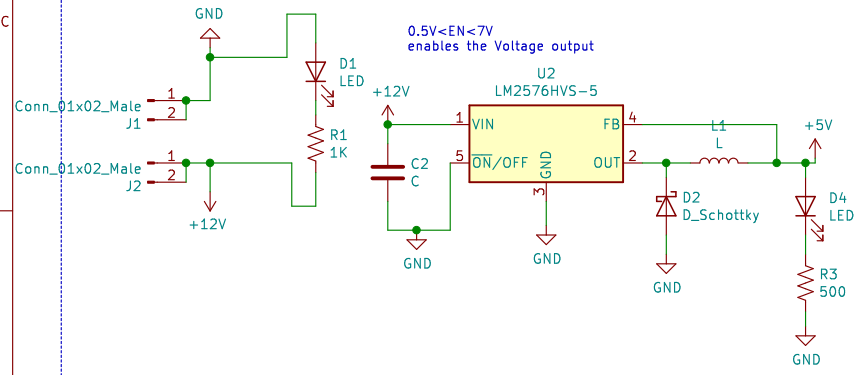
KiCad E.D.A. kicad (5.1.5)-3

Rev:

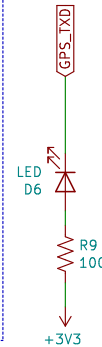
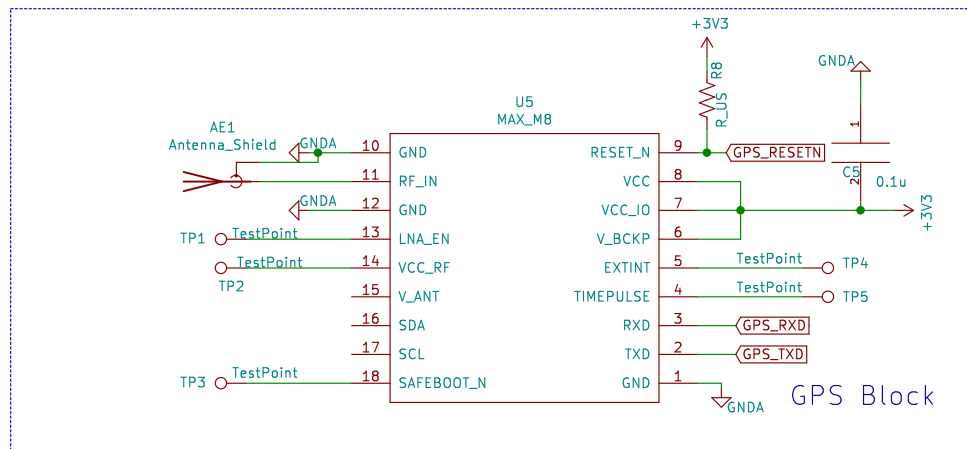
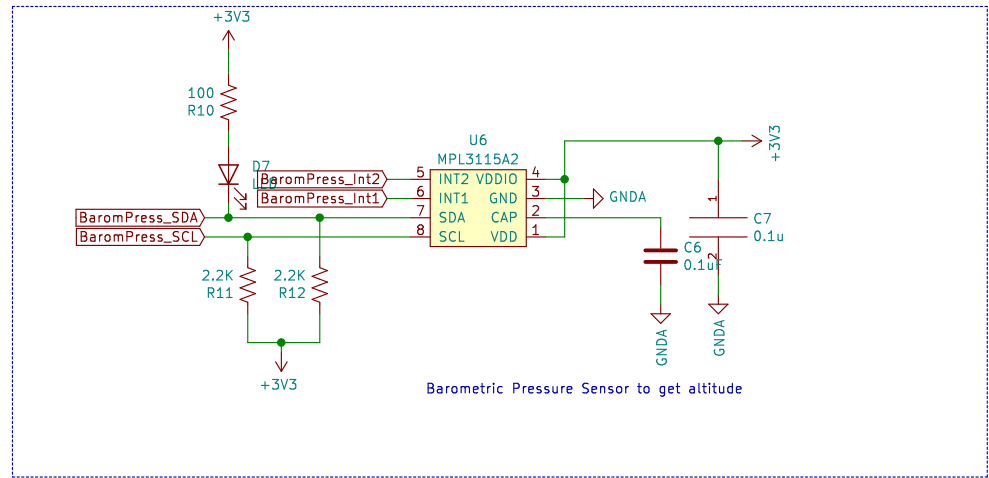
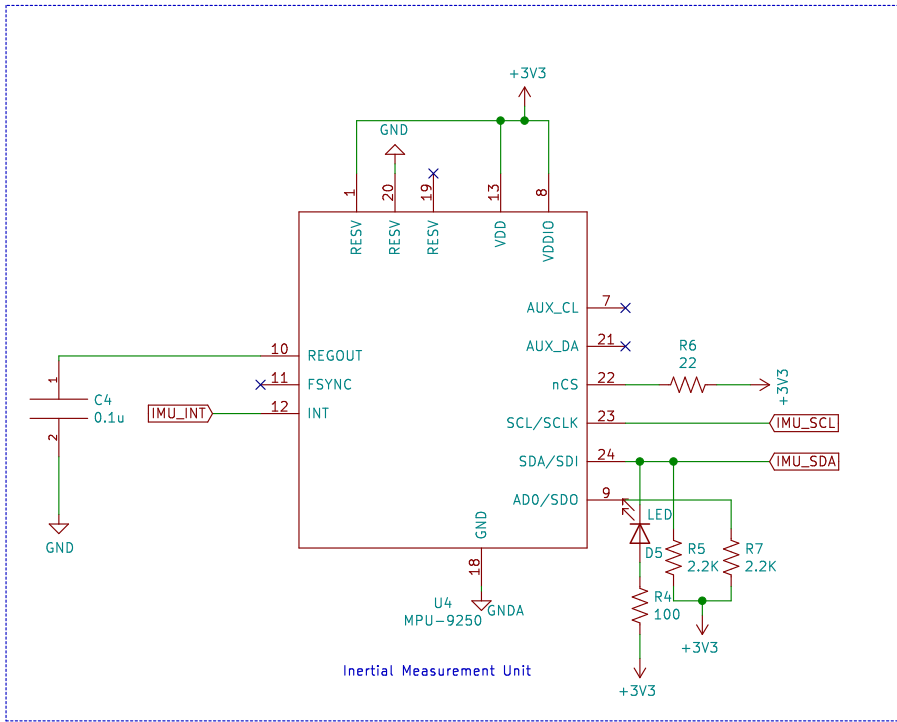
Id: 1/4



Power Supply

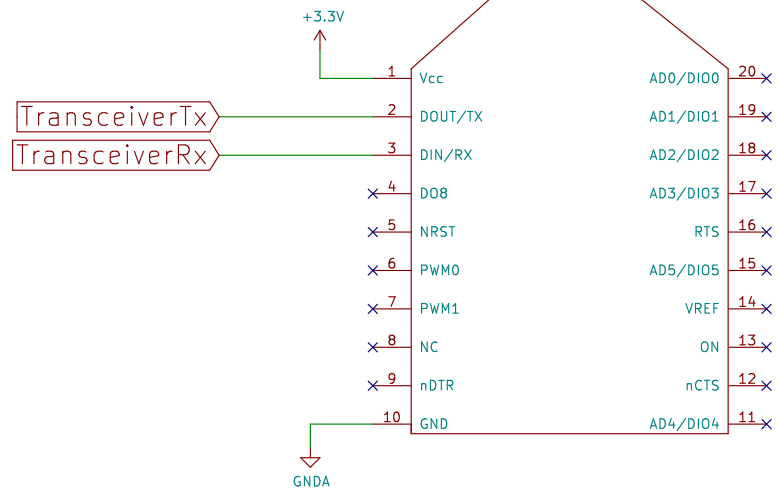


<h2>Micro-controller</h2>		
Sheet: /Teensy/ File: MicroConTeensy.sch		
Title: USLI Rover 2020		
Size: A4	Date: Oct 27, 2019	Rev: A
KiCad E.D.A. kicad (5.1.5)-3	Jessica Peterson	Id: 2/4



<h1>Sensors</h1>	
Sheet: /Sensors/ File: Sensors.sch	
Title: MPL3115A2 and Telemetry Unit	
Size: A4	Date: Oct 20, 2019
KiCad E.D.A. kicad (5.1.5)-3	Jessica Peterson
Rev: A	
Id: 3/4	

U7 XBee-Pro



Transceiver

Sheet: /Transceiver/
File: RFtransceiver.sch

Title: MPL5115A2 2020

Size: A4 Date: Oct 27, 2019

KiCad E.D.A. kicad (5.1.5)-3 Jessica Peterson

Rev: A

Id: 4/4

Rover USLI 2020

Sheet Page

Sheet: Teensy 2

File: TeensyController.sch

Sheet: Sensors 3

File: RoverSensor.sch

Sheet: Motors 4

File: Motors.sch

Sheet: Transceiver 5

File: TrnsnceiverRfm95.sch

Designer	Date	Rev	Reviewed By
J Peterson	Oct 27, 2019	A	



Title Page

Sheet: /
File: RoverRev1.sch

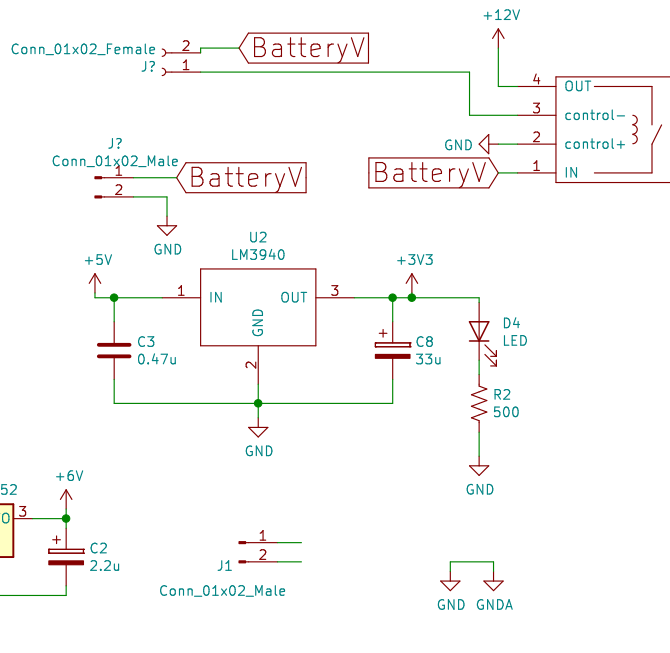
Title: USLI Rover 2020

Size: A4 Date: Oct 27, 2019

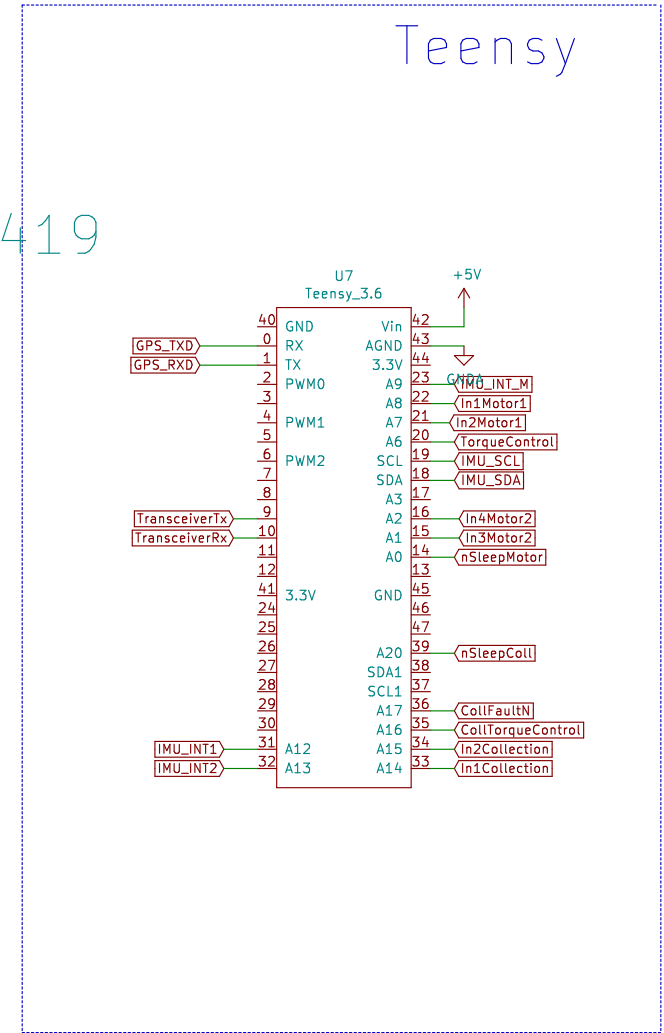
KiCad E.D.A. kicad (5.0.2)-1 Jessica Peterson

Rev: B

Id: 1/5

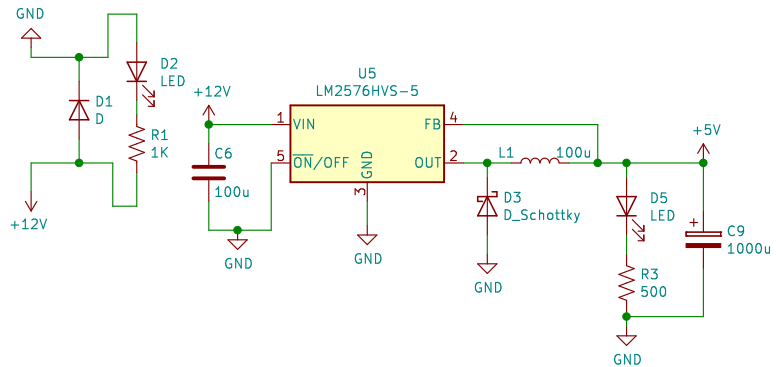


U?
Relay3570-1419



Teensy

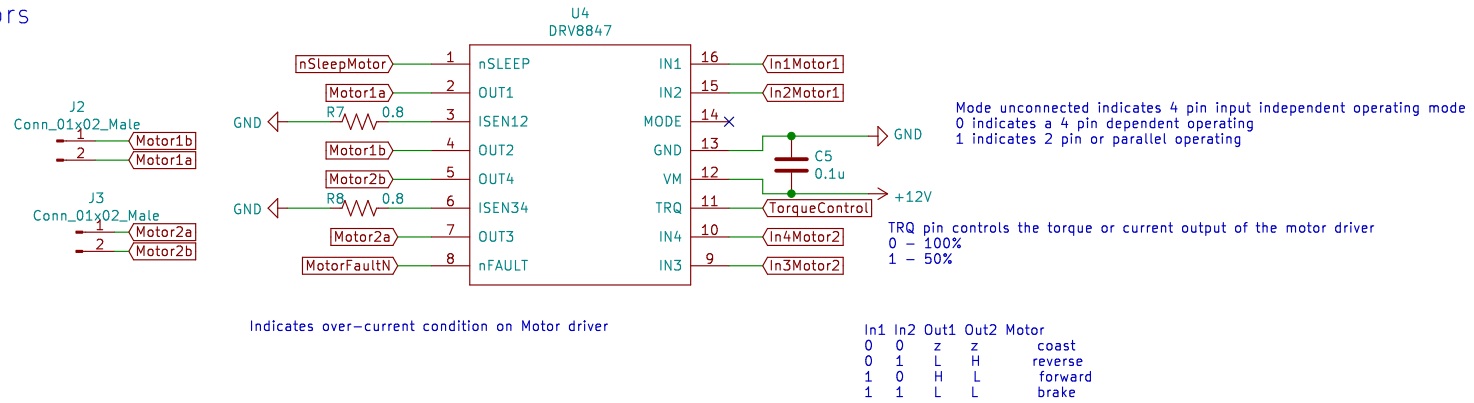
Power Supply



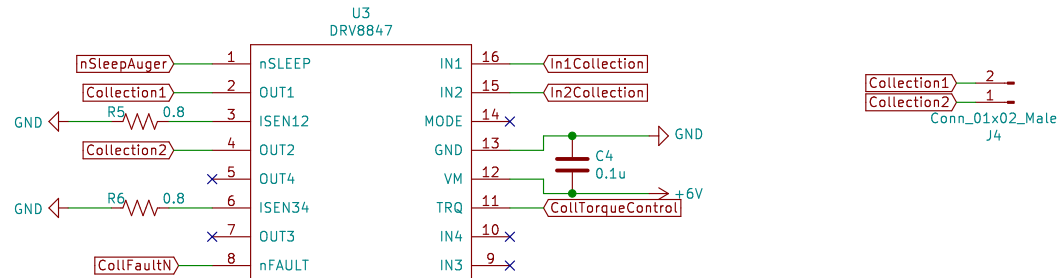
Micro-controller

Sheet: /Teensy/		File: TeensyController.sch	
Title: USLI Rover 2020			
Size: A4	Date: Oct 27, 2019	Rev: B	
KiCad E.D.A. kicad (5.0.2)-1		Jessica Peterson	Id: 2/5

Driving Motors



Ice Collection



Motors

Sheet: /Motors/
 File: Motors.sch

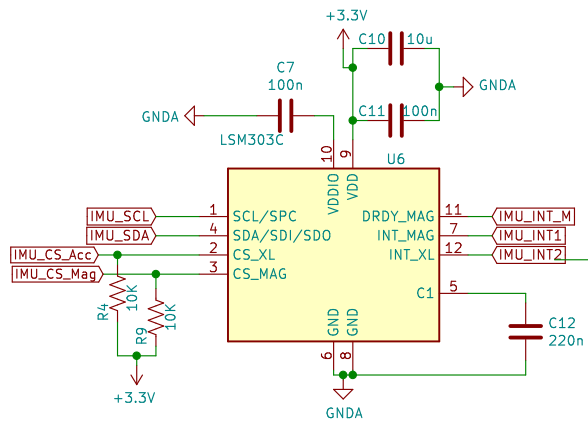
Title: USLI Rover 2020

Size: A4 Date: Oct 27, 2019

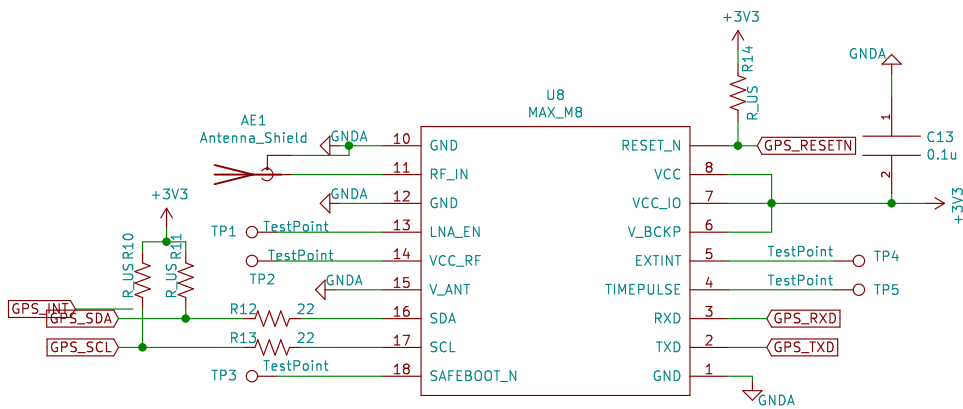
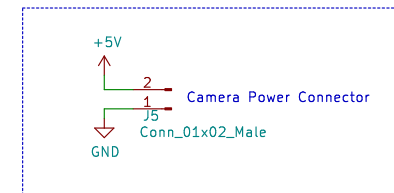
KiCad E.D.A. kicad (5.0.2)-1 Jessica Peterson

Rev: B

Id: 3/5



Inertial Measurement Unit



GPS Block



Sensors

Sheet: /Sensors/
File: RoverSensor.sch

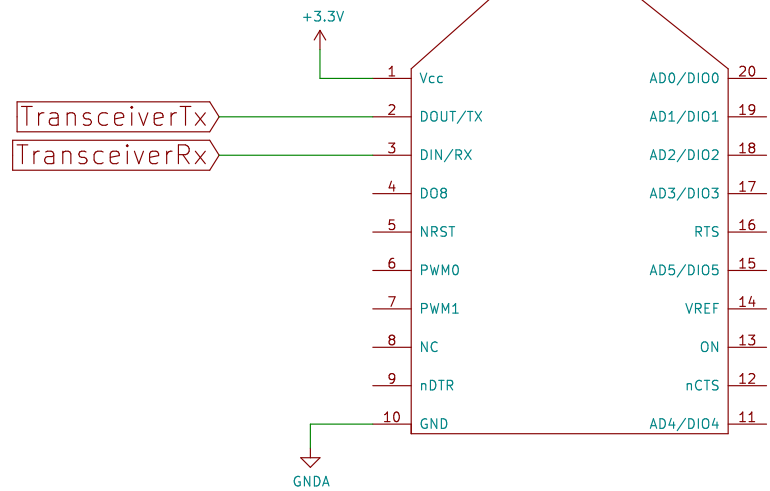
Title: USLI Rover 2020 Telemetry Unit

Size: A4 Date: Oct 20, 2019

KiCad E.D.A. kicad (5.0.2)-1 Jessica Peterson

Rev: B
Id: 4/5

U9 XBee-Pro



Transceiver

Sheet: /Transceiver/
File: TrnsceiverRfm95.sch

Title: USLI Rover 2020

Size: A4 Date: Oct 27, 2019

KiCad E.D.A. kicad (5.0.2)-1 Jessica Peterson

Rev: B

Id: 5/5