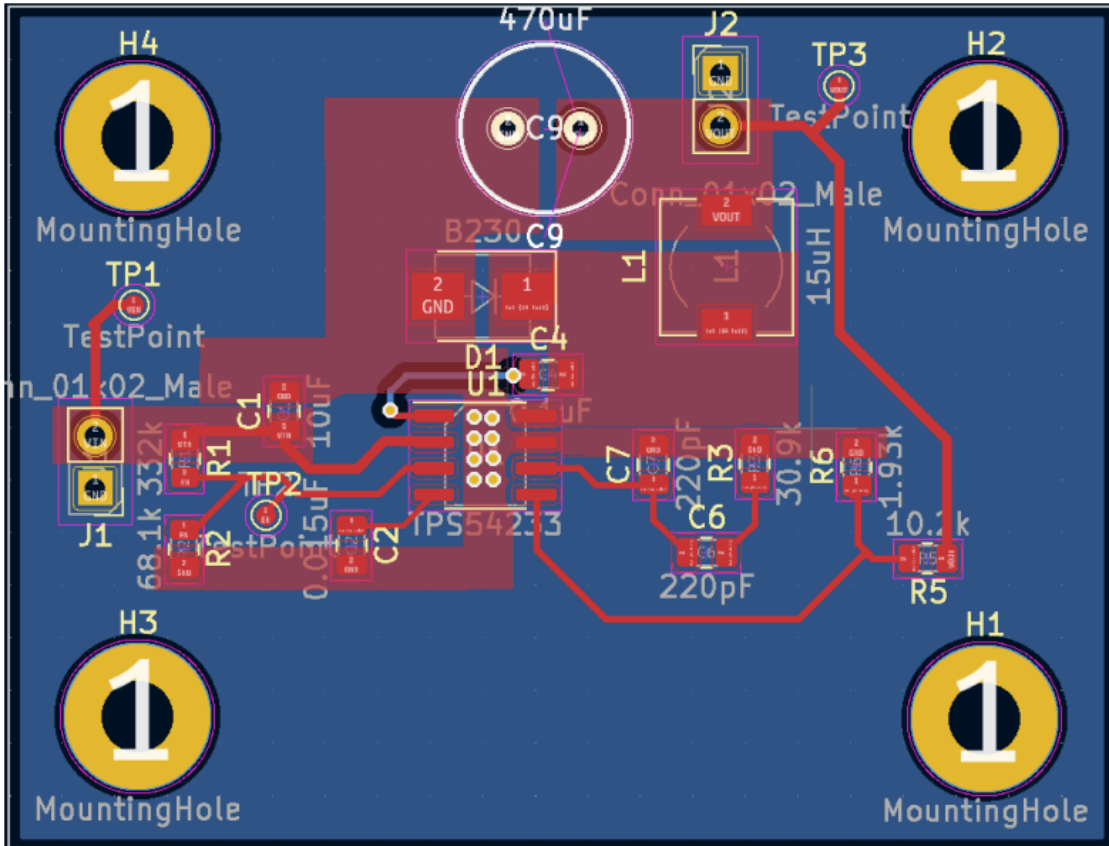


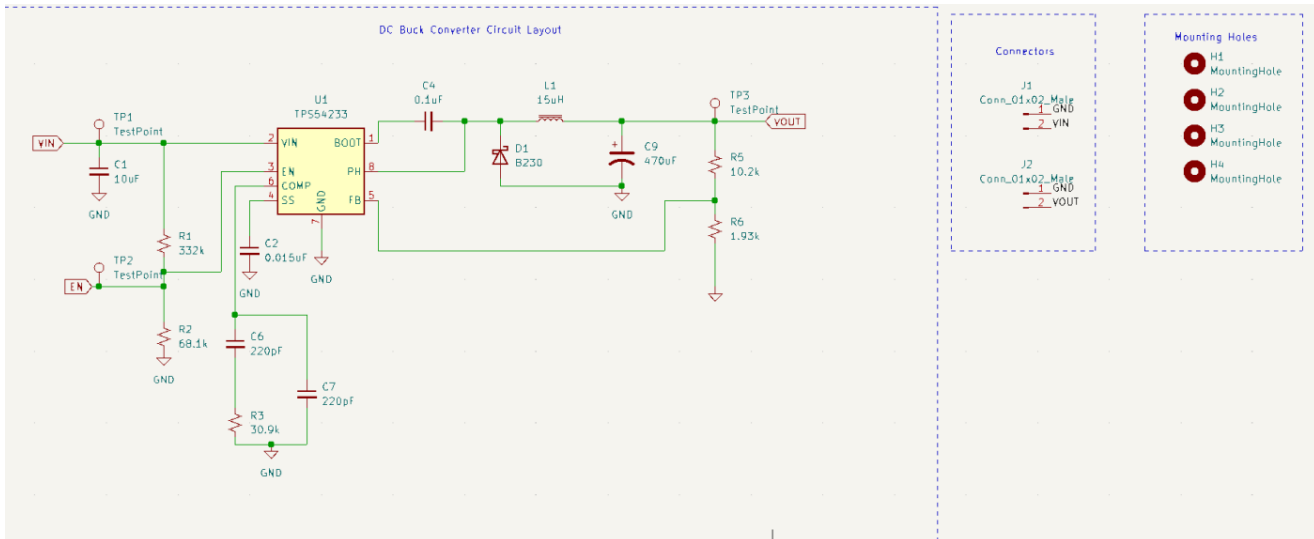
## System PCBs

### Smart Hub

#### 1. PCB

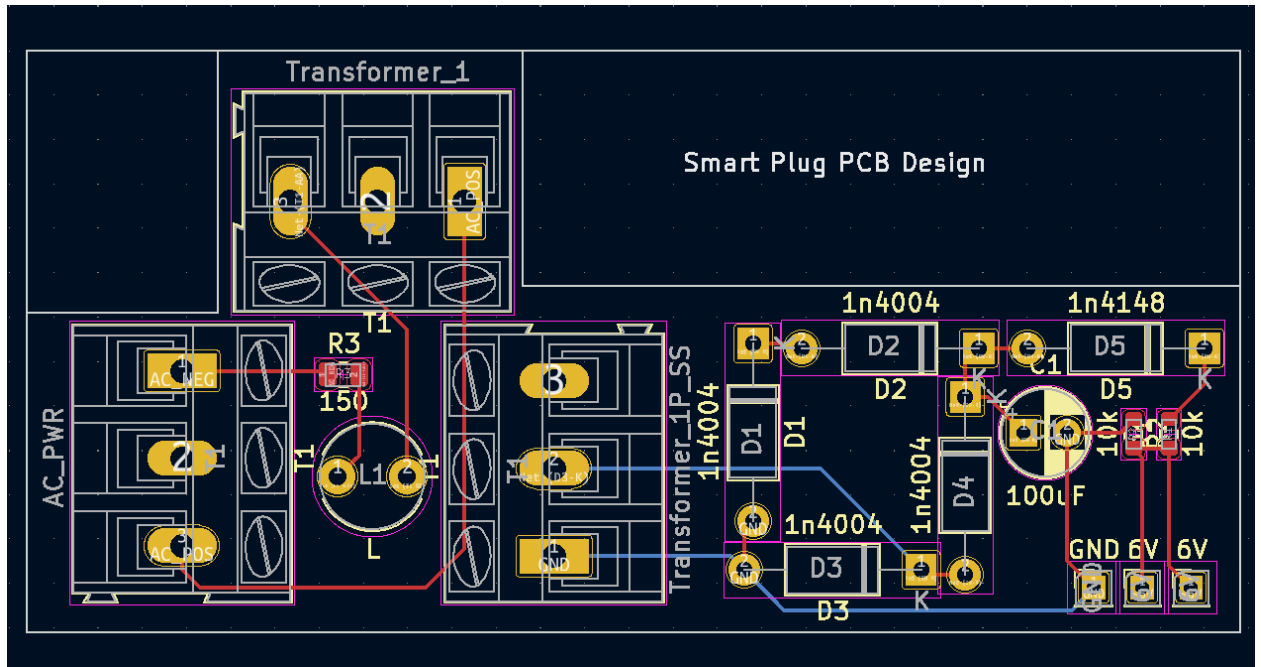


#### 2. Schematic



# Smart Plug

## 1. PCB



## 1. Schematic

