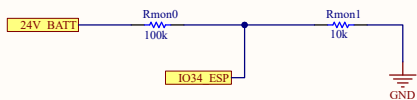
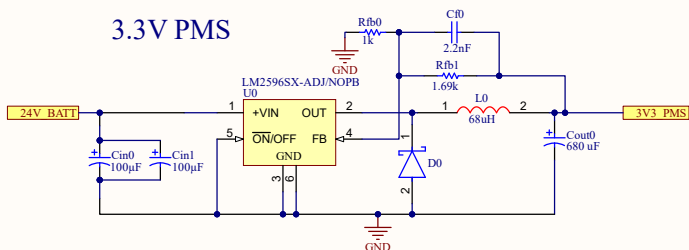


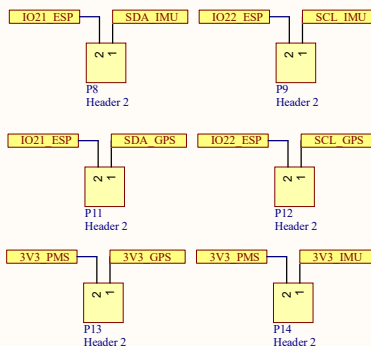
Battery Monitor PMS



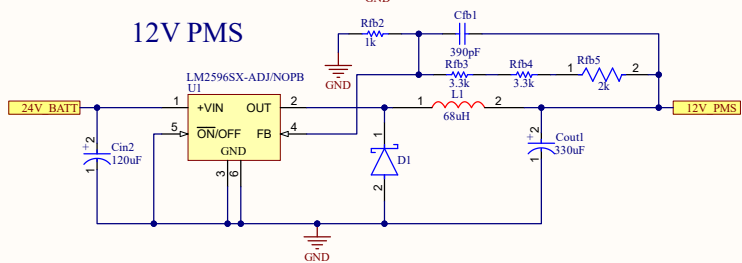
3.3V PMS



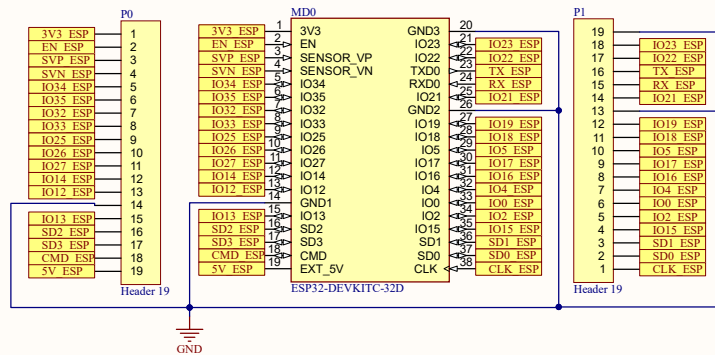
Disconnect Jumpers



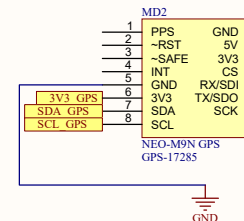
12V PMS



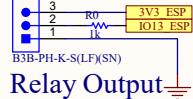
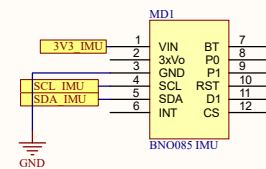
ESP32 MCU + Header Pins



NEO-M9N GPS



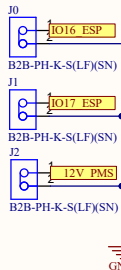
BNO085x IMU



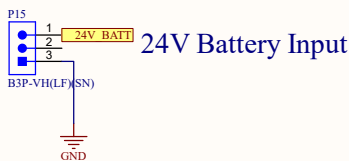
Bump Sensors Input



Lid Switch Input



12V Output for Relay



24V Battery Input

Title		
Size	Number	Revision
A3		
Date:	2/28/2022	Sheet of
File:	C:\Users\l.VAPDR\PCB\SchDoc	Drawn By: